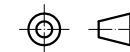
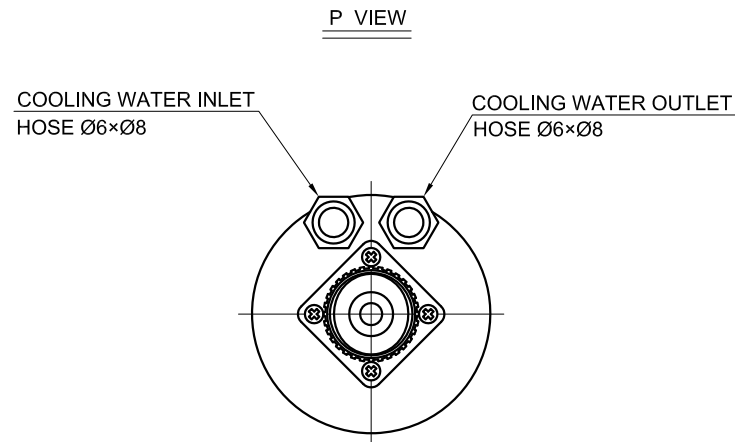


SPECIFICATION	VALUE
POWER (W)	800
VOLTAGE (VAC)	110
RATED CURRENT (A)	4
MAXIMUM SPEED (RPM)	24000
FREQUENCY (Hz)	400
NUT MODEL	ER11
COLLET (mm)	Ø3.175
RUNOUT OFF (mm)	LESS THAN 0.005
BEARINGS	2x7002C(P4 DT) + 2x7000C(P4 DT)
COOLING	WATER COOLED
MATERIAL	STAINLESS STEEL
LUBRICATION	GREASE
WEIGHT (Kg) [lb]	3 [6.61]



	mm	APVD		5.5.2019
	UNIT	CHKD		
	2:1	DRN		
	SCALE	SIGNATURE		DATE

**SPINDLE MOTOR**

**GDZ65-800A4**