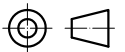
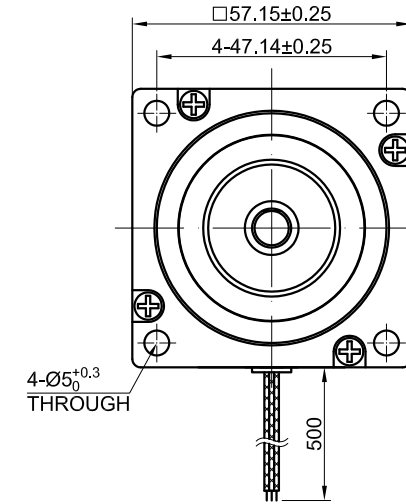
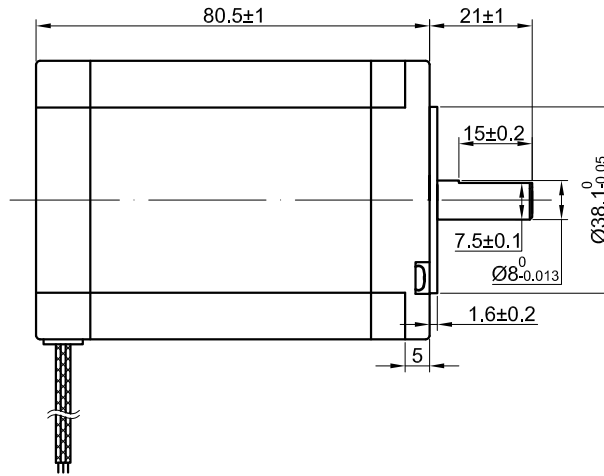
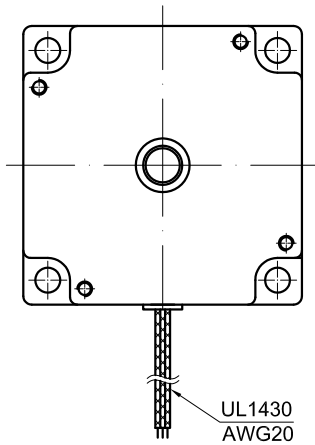


END COVER COLOR: BLACK

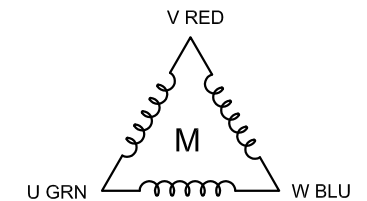


| SPECIFICATION | VALUE |
|--|--------------|
| AMPS/PHASE | 5.50 |
| RESISTANCE/PHASE(Ohms)@20°C | 0.70±10% |
| INDUCTANCE/PHASE(mH)@1KHz | 1.80±20% |
| HOLDING TORQUE(Nm)[lb-in] | 1.80 [15.94] |
| STEP ANGLE(°) | 1.2±0.06 |
| MAXIMUM RADIAL RUNOUT(mm)@LOAD 450g | 0.025 |
| MAXIMUM AXIAL RUNOUT(mm)@LOAD 920g | 0.075 |
| ROTOR INERTIA(g-cm ²) | 520 |
| WEIGHT(Kg)[lb] | — |
| TEMPERATURE RISE:MAX.80°C | |
| OPERATION AMBIENT TEMPERATURE 0°C~50°C[32°F~122°F] | |
| INSULATION RESISTANCE 100 Mohm (UNDER NORMAL TEMPERATURE AND HUMIDITY) | |
| INSULATION CLASS B 130°C[266°F] | |
| DIELECTRIC STRENGTH 500VAC FOR 1MIN.(BETWEEN THE MOTOR COILS AND THE MOTOR CASE) | |

| TYPE OF CONNECTION (EXTERN) | | MOTOR |
|-----------------------------|-------|-------|
| PIN NO | PHASE | LEADS |
| 1 | V | RED |
| 2 | W | BLU |
| 3 | U | GRN |

FULL STEP 3 PHASE-Ex. ,
WHEN FACING MOUNTING END (X)

| STEP | U | V | W | CCW | CW |
|------|---|---|---|-----|-----|
| 1 | + | - | - | ↓ ↑ | ↑ ↓ |
| 2 | - | + | - | | |
| 3 | - | - | + | | |
| 4 | + | - | - | | |



| | | | |
|-------|-----------|--|-----------|
| | APVD | | 7.12.2019 |
| | CHKD | | |
| 1:1.5 | DRN | | |
| SCALE | SIGNATURE | | DATE |

STEPPER MOTOR

23HT32-5503S