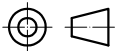
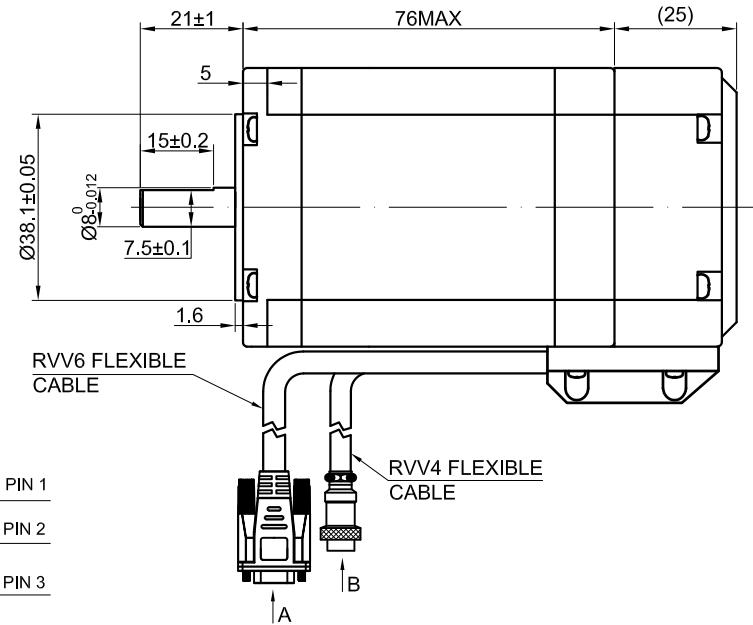
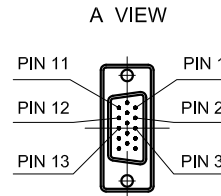
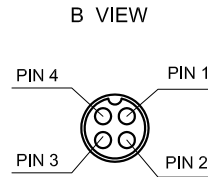
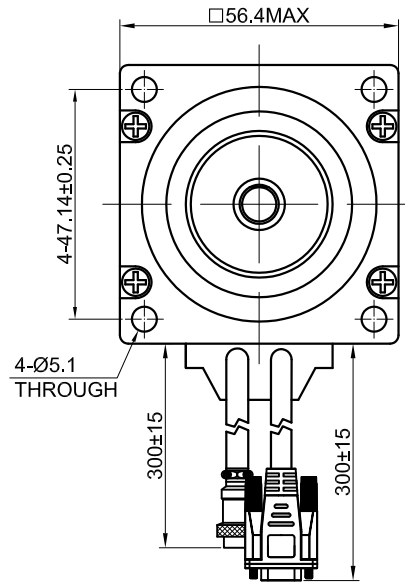


END COVER COLOR: BLACK



| SPECIFICATION | CONNECTION | BIPOLAR |
|--|------------|--------------|
| NO. OF PHASE | | 2 |
| AMPS/PHASE | | 5.00 |
| RESISTANCE/PHASE(Ohms)@20°C | | 0.42±10% |
| INDUCTANCE/PHASE(mH)@1KHz | | 1.70±20% |
| HOLDING TORQUE(Nm)[lb-in] | | 2.00 [17.71] |
| STEP ANGLE(°) | | 1.8 |
| STEP ACCURACY(NON-ACCUM) | | ±5.00% |
| WEIGHT(Kg)[lb] | | — |
| TEMPERATURE RISE:MAX.80°C (MOTOR STANDSTILL;FOR 2PHASE ENERGIZED) | | |
| OPERATION AMBIENT TEMPERATURE -10°C~50°C[14°F~122°F] | | |
| INSULATION RESISTANCE 100 Mohm (UNDER NORMAL TEMPERATURE AND HUMIDITY) | | |
| INSULATION CLASS B 130°C[266°F] | | |
| DIELECTRIC STRENGTH 500VAC FOR 1MIN.(BETWEEN THE MOTOR COILS AND THE MOTOR CASE) | | |

| TYPE OF CONNECTION (EXTERN) | | MOTOR | |
|-----------------------------|---------|-------|---------|
| PIN NO | BIPOLAR | LEADS | WINDING |
| 1 | A — | WHT | A |
| 2 | A\ — | GRN | A\ |
| 3 | B — | BLU | B |
| 4 | B\ — | BLK | B\ |

FULL STEP 2 PHASE-Ex. ,
WHEN FACING MOUNTING END (X)

| STEP | A | B | A\ | B\ | CCW | CW |
|------|---|---|----|----|-----|----|
| 1 | + | + | - | - | ↓ | ↑ |
| 2 | - | + | + | - | | |
| 3 | - | - | + | + | | |
| 4 | + | - | - | + | | |

ENCODER RESOLUTION:1000CPR

| 15-PIN DB MALE PLUG | 1 | 2 | 3 | 11 | 12 | 13 |
|---------------------|-----|-----|-----|-----|-----|-----|
| LEAD COLOR | BLK | RED | WHT | YEL | GRN | BLU |
| DESCRIPTION | EA+ | VCC | GND | EB+ | EB- | EA- |



| | | |
|-------|-----------|-----------|
| APVD | | 11.4.2019 |
| CHKD | | |
| 1:1.5 | DRN | |
| SCALE | SIGNATURE | DATE |

STEPPER MOTOR

23HE30-5004D-E1000