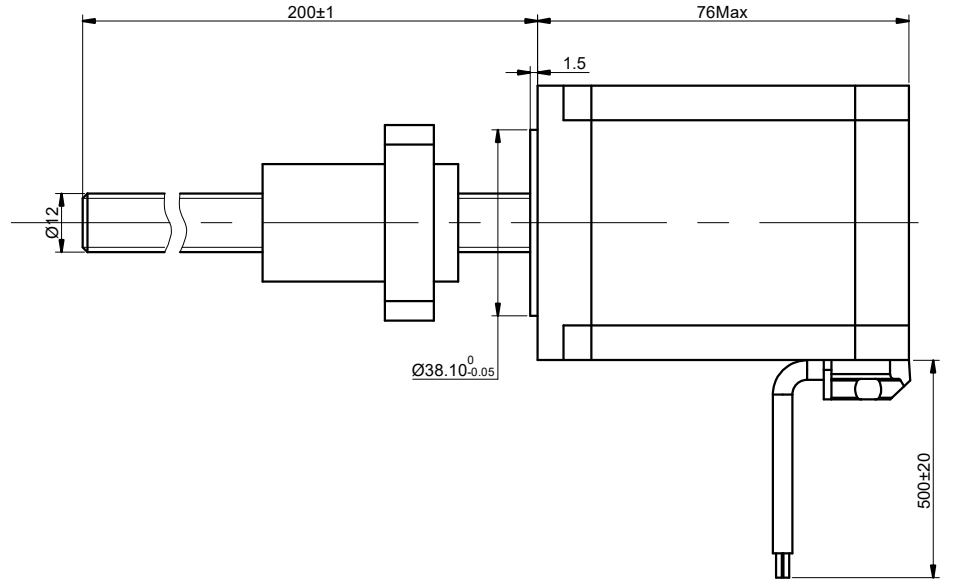
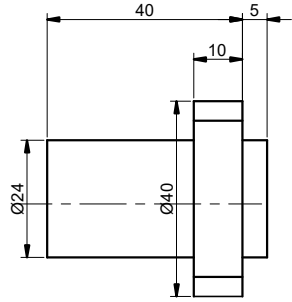
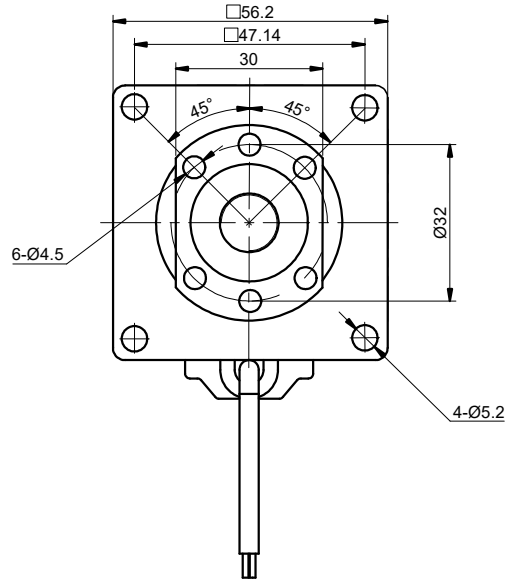


CUSTOMER'S MODEL: NO MODEL  
 END COVER COLOR: BLACK

| REV. | REVISION RECORD | BY  | DATE      |
|------|-----------------|-----|-----------|
| 0    | ORIGIN          | LDJ | 9.14.2023 |



| SPECIFICATION               | CONNECTION | BIPOLAR                |
|-----------------------------|------------|------------------------|
| AMPS/PHASE                  |            | 4                      |
| RESISTANCE/PHASE(Ohms)@25°C |            | 0.90±10%               |
| INDUCTANCE/PHASE(mH)@1KHz   |            | 4.50±20%               |
| HOLDING TORQUE(Nm)[lb-in]   |            | 1.80[15.93]            |
| STEP ANGLE(°)               |            | 1.80                   |
| STEP ACCURACY(NON-ACCUM)    |            | ±5.00%                 |
| LEAD(mm)                    |            | 10                     |
| LINEAR TRAVEL/STEP(mm)      |            | 0.05                   |
| SCREW ACCURACY GRADE        |            | C7                     |
| AMBIENT TEMPERATURE         |            | -10°C~50°C[14°F~122°F] |
| INSULATION CLASS            |            | B 130°C[266°F]         |
| TEMPERATURE RISE            |            | MAX.80°C               |
| AMBIENT HUMIDITY            |            | MAX.85%                |

COMMENT:  
 1.TMBF 6000h OR MORE @ 24V/300RPM  
 2.INSULATION RESISTANCE (NORMAL TEMPERATURE AND HUMIDITY): 100 Mohm  
 3.DIELECTRIC STRENGTH 500VAC FOR 1MIN.(BETWEEN THE MOTOR COILS AND THE MOTOR CASE )

| MOTOR CONNECTION |         |         |         |
|------------------|---------|---------|---------|
| PIN NO           | BIPOLAR | LEADS   | WINDING |
| 1                | A+      | RED     |         |
| 2                | A-      | RED/WHT |         |
| 3                | B+      | GRN     |         |
| 4                | B-      | GRN/WHT |         |

| FULL STEP 2 PHASE-Ex.,WHEN FACING MOUNTING END (X) |    |    |    |    | CCW | CW |
|----------------------------------------------------|----|----|----|----|-----|----|
| STEP                                               | A+ | B+ | A- | B- |     |    |
| 1                                                  | +  | +  | -  | -  |     |    |
| 2                                                  | -  | +  | +  | -  |     |    |
| 3                                                  | -  | -  | +  | +  |     |    |
| 4                                                  | +  | -  | -  | +  |     |    |

THIS DOCUMENT SHALL NOT BE REPRODUCED NOR SHALL THE INFORMATION CONTAINED HEREIN BE USED BY OR DISCLOSED TO OTHERS UNLESS EXPRESSLY AUTHORIZED IN BY WRITING STEPPERONLINE.

| SIGNATURE |     | DATE      |
|-----------|-----|-----------|
| DRN       | LDJ | 9.14.2023 |
| APVD      | ZPJ | 9.14.2023 |

**STEPPER MOTOR.FR**

**STEPPER MOTOR**

**23E30S4004B1L5-200RS**

|      |   |       |     |         |       |
|------|---|-------|-----|---------|-------|
| REV. | 0 | SCALE | 3:2 | DWG NO. | A1049 |
|------|---|-------|-----|---------|-------|